

# 4-POST LIFTS



## QUADRA RANGE

### HIGH PRECISION 4-POST LIFTS

Our 4-post lifts combine workmanship quality with a perfect design and advanced technology.

#### 4-POST LIFTS ALIGNMENT LIFTS WITH INTEGRATED AUXILIARY LIFT

- Ref. QUADRA548LA : 5 t / platform length 4880 mm
- Ref. QUADRA552LA : 5 t / platform length 5280 mm
- Ref. QUADRA558LA : 5 t / platform length 5780 mm

#### 4-POST LIFT WITH FLAT TRACKS

- Reference QUADRA552CP : 5 t / platform length 5280 mm

An optional jacking beam can be installed on all our models of 4-post lifts.

Advanced technologies and sophisticated specifications give our 4-post lift the ability to accommodate virtually all kinds of light vehicles and most commercial vehicles and vans.

All of our lifts are CE certified and conform to the standards in Force in the E.U.

## RELIABILITY

- All components are tested at the factory. Easy and straightforward installation procedure. Low maintenance requirements.

## QUALITY

- High quality paint with sealer applied at metal joints.
- Power pack, cross-beam pulleys and column upper plates, are covered by finishing and sound insulating hoods.
- Cable routing between main columns and platform is done in a special articulated plastic drag chain. No cable and no oil tube remains visible, ensuring long lasting duty and good looking finish.

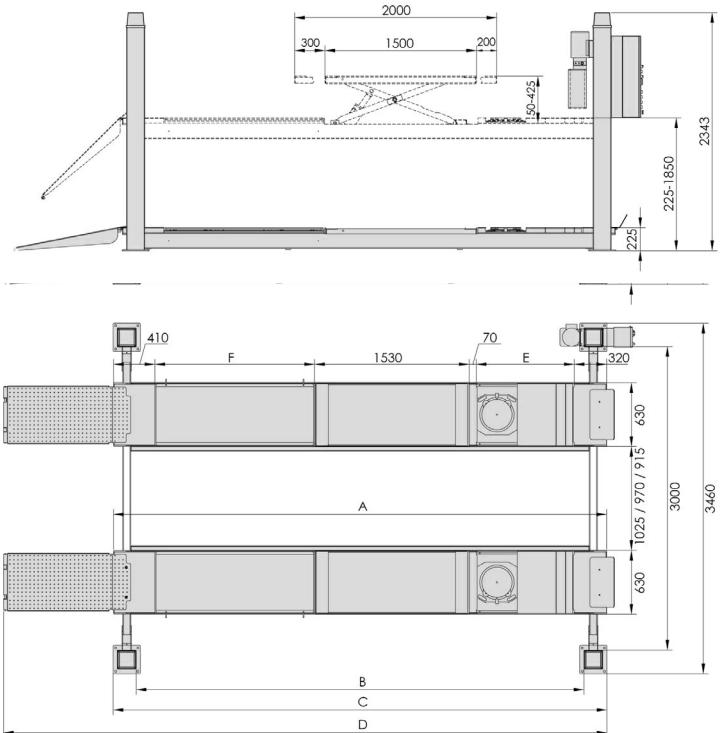
## SAFETY

- Full electro-hydraulic functions
- Safety latching device in each columns, with latching position every 10 cm.
- Cable slack detection
- Acoustic warning for foot protection
- Electric upper end switch, ensuring automatic stop at upper position.

## IDEAL FOR WHEEL ALIGNMENT

On QUADRA548LA, 552LA, 558LA

- Front recesses for turntables (height 50 mm) with removable covers.
- Rear side slip plate, lockable, covering virtually the whole rear section of the lifting platforms.



User friendly command unit with push buttons.  
Special articulated plastic drag chain for cables and oil tubes routing.

SCHEME	QUADRA552CP	QUADRA548LA	QUADRA552LA	QUADRA558LA
A	5280 mm	4880 mm	5280 mm	5780 mm
B	4838 mm	4438 mm	4838 mm	5338 mm
C	5288 mm	4888 mm	5288 mm	5788 mm
D	6370 mm	5970 mm	6370 mm	6870 mm
E	-	970 mm	970 mm	1170 mm
F	-	1580 mm	1980 mm	2280 mm

SPECIFICATIONS	QUADRA552CP	QUADRA548LA	QUADRA552LA	QUADRA558LA
Lifting capacity, main lift	5 t	5 t	5 t	5 t
Lifting capacity, auxiliary lift	-	4 t	4 t	4 t
Integrated equipment for wheel alignment	no	yes	yes	yes
Net weight	1700 kg	2160 kg	2313 kg	2400 kg
Lifting/lowering time (main lift)	60/55 sec.	60/55 sec.	60/55 sec.	60/55 sec.
Lifting/lowering time (auxiliary lift)	25/20 sec.	25/20 sec.	25/20 sec.	25/20 sec.
Jacking beam 2.6 or 3 t	4207520 + ACH.6228000 or TRAV3P	4207520 + ACH.6228000 or TRAV3P	4207520 + ACH.6228000 or TRAV3P	4207520 + ACH.6228000 or TRAV3P
Nominal hydraulic pressure	180 bars	180 bars	180 bars	180 bars
Power supply	400 V / 3 ph / 50 Hz / 16 A / 2.2 kW			