

GALAXIE551ELA

SCISSOR LIFT 5T WITH LIFTING RUNWAYS AND AUXILIARY WHEEL-FREE LIFT



The GALAXIE551ELA is a 5T scissor lift with long runways (main lift) and under body lift (auxiliary lift).

Recessed in a pit, the flush mounted runways can accommodate vehicles with very low ground clearance.

This flushed mounted configuration saves space in the workshop.

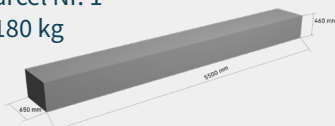
Optional long drive-in ramps allow above ground installation (without the need of a pit), if required.



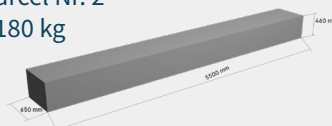
GENERAL SPECIFICATIONS	GALAXIE551ELA
Main lift capacity	5000 kg
Auxiliary lift capacity	3500 kg
Main runways, length	5100 mm
Main runways, width	610 mm
Lifting/lowering time - Loaded lift	70 sec. / 50 sec.
Max. lifting height - main lift	2060 mm
Max. lifting height - auxiliary lift	450 mm
Power supply - Motor power	400 V / 3 ph / 50 Hz / 16 A / 2,2 kW
Max. oil pressure - main lift	250 bars
Max. oil pressure - auxiliary lift	200 bars
Air supply	6 - 8 bars
Net weight	2358 kg

PACKAGING

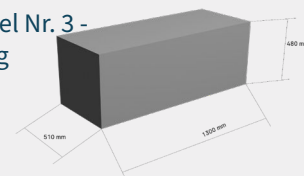
Parcel Nr. 1 - 1180 kg



Parcel Nr. 2 - 1180 kg



Parcel Nr. 3 - 84 kg



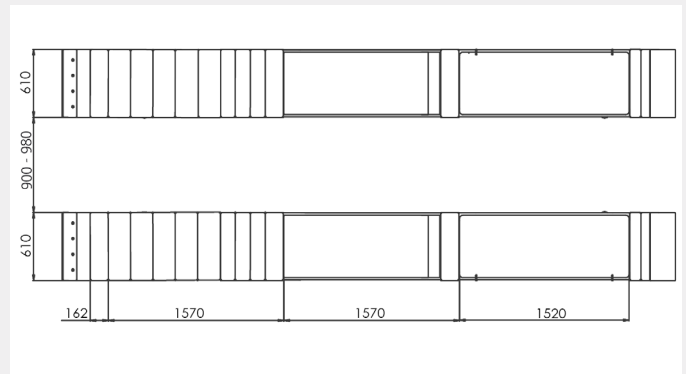
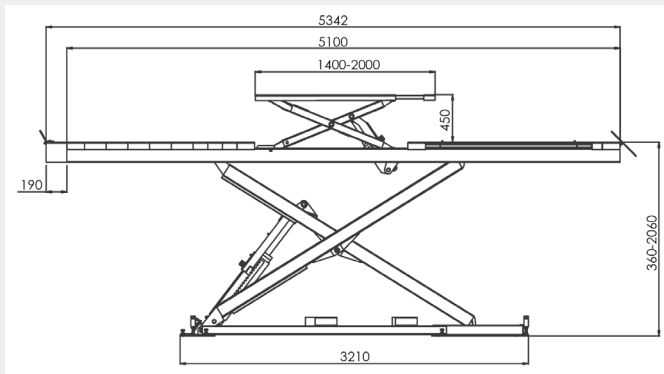
PERFORMANCE

- Safety latching devices with automatic locking in safe position (in conformity with European regulations).
- Leveling of platforms with a full hydraulic system, without mechanical connection, enabling convenient access without obstacles under the lifted vehicles.
- User friendly command unit, located at ideal height for users, enabling command without effort.
- High efficiency lighting kit as standard, featuring 4 LEDs bar units, with magnets, which can be located as wished, with lighting switches.

SAFETY

- Installation and maintenance onsite by our service technicians

DIMENSIONS (IN MM)



OPTIONAL ACCESSORIES	REFERENCES
Turntables for wheel alignment checks	UB. 7A-J2
Jacking beam 2,6T	4207520 + ACH. 6227600
Jacking beam 3T	TRAV3P
Set of 2 long ramps with hoses covers, for above ground installation	G5R