

2-POST LIFTS



AZUR RANGE

2-POST ELECTRO-HYDRAULIC LIFTS

Our new range of 2-post lifts comprises lifts with base on the floor, and lift baseless overhead gantry type.

2-POST LIFT WITH BASE ON THE FLOOR

Our range of 2-post lift with base AZURXXCH, consists in three models with different lifting capacities to cover all the possible configurations found in the workshops, with no boundaries regarding available roof height, and for a wide variety of vehicles :

- Ref. AZUR35CH : 3.5 t
- Ref. AZUR42CH : 4.2 t
- Ref. AZUR50CH : 5.0 t

Those lifts can accommodate vehicles with lower ground clearance, thanks to their low lifting pad height.

2-POST LIFT OVERHEAD GANTRY LIFT

We offer our 2-post lift baseless AZUR42CH with a capacity of 4,2 t, providing a totally flat ground under the vehicle. This lift is particularly well adapted to electric vehicles (special accessories for this purpose to be chosen among a wide range of accessories).

- Ref. AZUR42AH : 4.2 t



SPECIFICATIONS	AZUR35CH	AZUR42CH	AZUR50CH	AZUR42AH
Base type / baseless type	base type	base type	base type	baseless type
Main lift capacity	3.5 t	4.2 t	5.0 t	4.2 t
Net weight	630 kg	660 kg	997 kg	730 kg
Max. lifting height	1900 mm	1900 mm	1900 mm	1990 mm
Min. pad height	90 mm	90 mm	100 mm	90 mm
Lifting / lowering time	45/55 sec.	45/55 sec.	55/60 sec.	55/55 sec.
Overall height	2825 mm	2825 mm	2912 mm	3900 mm
Distance between columns	3420 mm	3420 mm	4028 mm	2830 mm
Concrete slab min. thickness	200 mm	200 mm	200 mm	200 mm
Base plate for concrete slab thickness 130 mm	option	option	-	-
Front arms with 2 sliding parts, min./max length	615-1150 mm	615-1150 mm	-	615-1150 mm
Rear arms with 1 sliding part, min./max. length	890-1390 mm	890-1390 mm	-	890-1390 mm
Front & rear arms (symmetrical), min./max length	-	-	900-1800 mm	
Power supply	400 V / 3 ph / 50 Hz / 16 A / 2.2 kW			

RELIABILITY

- All components are tested at the factory. Easy and straightforward installation procedure. Low maintenance requirements.

TECHNOLOGY

- Full electric, ergonomic controls with push buttons.
- Accurate positioning system (APS) for precise lift height adjustment, without raising before lowering.
- Electric upper limit switch.
- No air supply

SAFETY

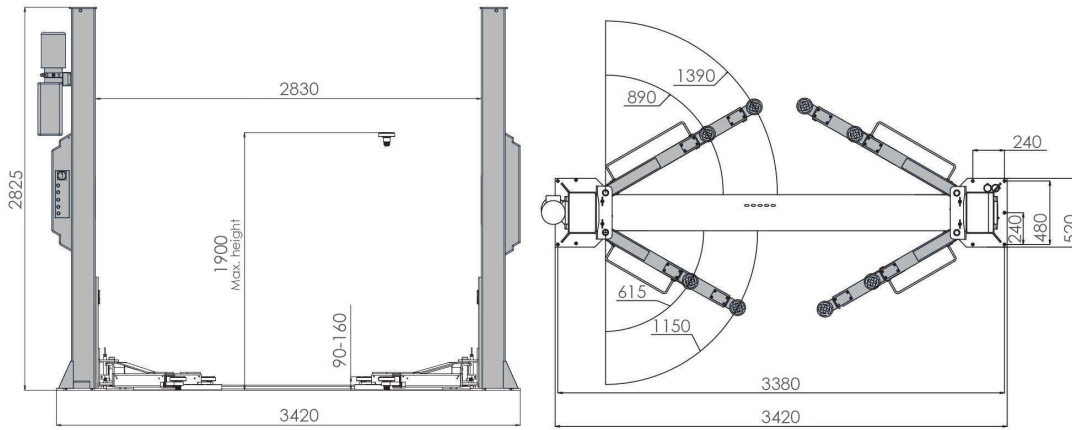
- Latching device with mechanical locking position every 10 cm, electrically and automatically activated.
- Levelling done by the mean of very reliable mechanical ropes, preventing any difference of level between the carriage units.

PERFORMANCES

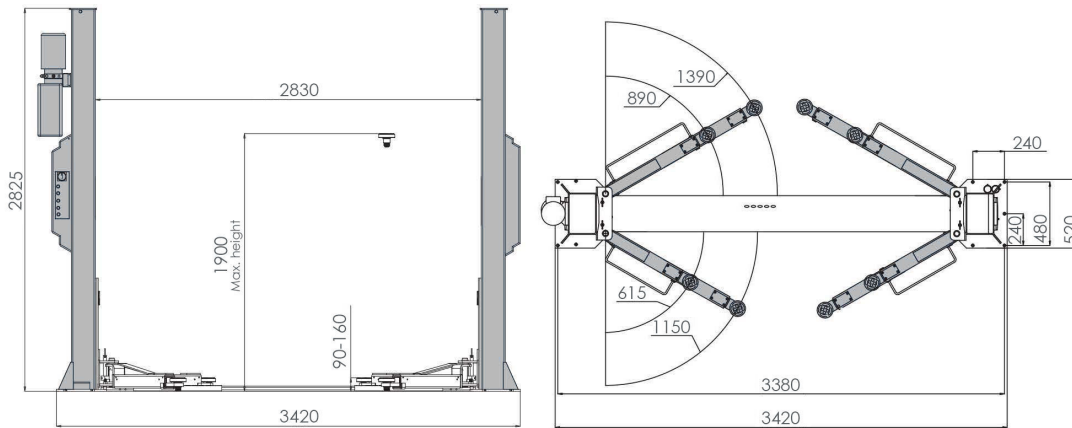
- CHASS 130 : optional reinforced full base frame for AZUR35CH and AZUR42CH, for installation on weak floor, with concrete only 130 mm thick.
- Front lifting arms short with 2 extension sliding parts, allowing an easy and safe raising of small vehicles on asymmetrical lifts (AZUR35CH, AZUR42CH and AZUR42AH).
- Heavy duty symmetrical lift AZUR50CH with 4 extra-long extensible arms, for a wide variety of commercial vehicles, small trucks and motor-home vehicles.



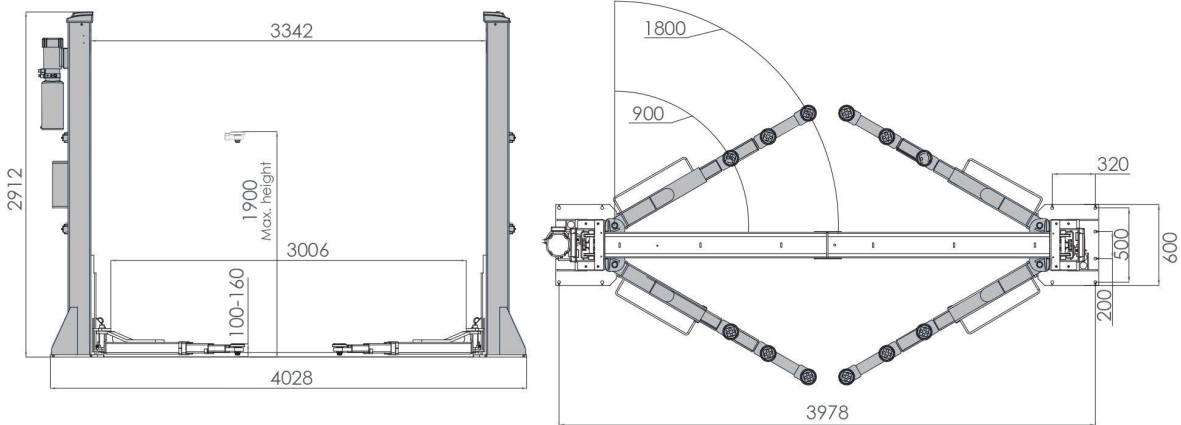
DIMENSIONS AZUR35CH



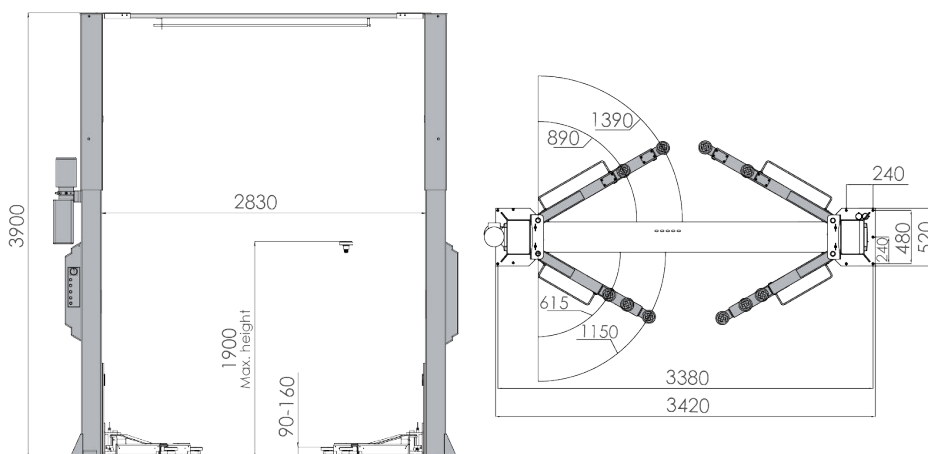
DIMENSIONS AZUR42CH



DIMENSIONS AZUR50CH



DIMENSIONS AZUR42AH



ACCESSORIES FOR 2-POST LIFTS

	AZUR35CH	AZUR42CH	AZUR50CH	AZUR42AH
	EV.612005002	EV.612005002	EV.612035001	EV.612005002
	EV.612004209	EV.612004209	EV.612013009	EV.612004209
	EV.791210002	EV.791210002	EV.791210041	EV.791210002
	EV.791110027	EV.791110027	EV.791210013	EV.791110027
	EV.791110028	EV.791110028	EV.791210034	EV.791110028
	EV.791110009	EV.791110009	EV.791210033	EV.791110009
	EV.791210025	EV.791210025	EV.791110031	EV.791210025
	4948521	4948521	-	-
	CHASS130	CHASS130	-	-
	-	-	-	EV.791210009
Set of 2 reinforcement bars for concrete slabs min.150 mm thick.	-	-	-	KITBAR42AH

SPECIAL ACCESSORIES FOR ELECTRIC VEHICLES

Ref. KITVE42AH

Kit for servicing electric vehicles. Compatible with lift AZUR42AH. This kit allows vehicles to be raised under their wheels. Thus, no part of the lifting arms will be located in the vicinity of the vehicle underbody, providing the perfect clearance under the vehicle battery that is necessary to remove or service it.

Comprising:

- 4 rotating lifting forks to replace the original lifting pads (capacity/wheel : 875 kg)
- 2 lifting arms « long » (890-1390 mm).

