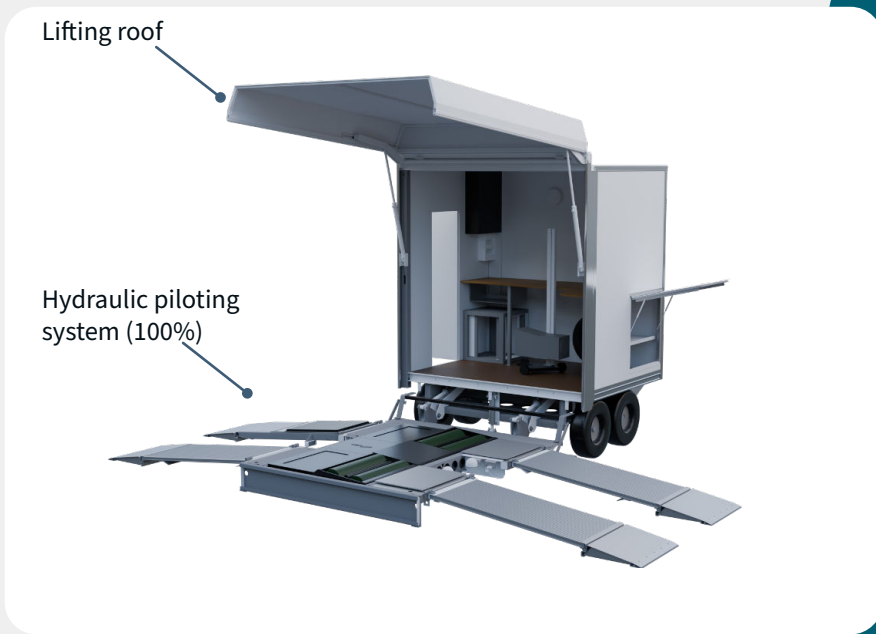


ALPHA35


MOBILE STATION 3,5T



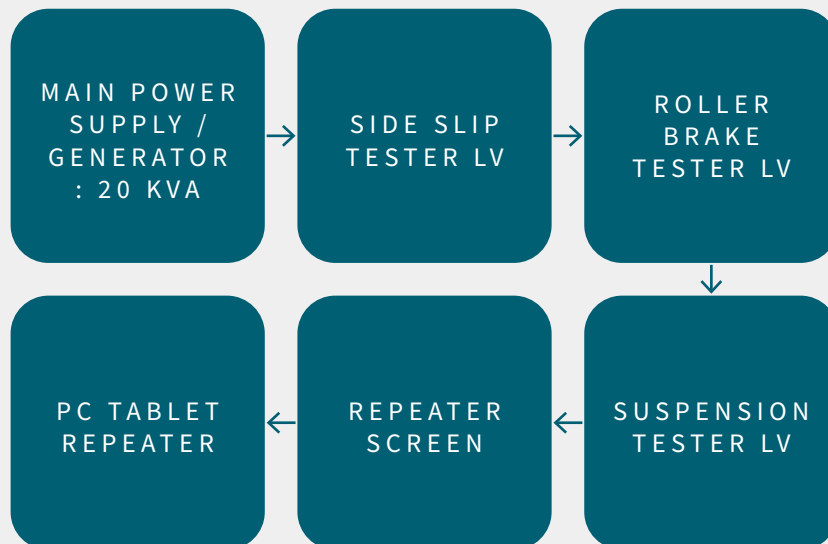
With a total weight of 3.5T makes it a towable station for pickup and light commercial vehicles. This mobile station, in its standard configuration permits the technical inspection of light vehicles.

An office room allows the administrative tasks required for technical vehicle inspection to be carried out.

Like all mobile stations in the range, many configurations are possible (motorcycle, mixed, lifting, etc.)



TECHNICAL DATA & BASIC EQUIPMENT



THIS STATION IS COMPOSED OF :

- A technical crossing zone in where the necessary technical inspection equipment is located
- A spacious office room to carry out the administrative tasks required for technical inspection
- All deployment functions are hydraulically controlled by using a wired remote control

PERFORMANCE & RELIABILITY

Deployment and setting-up of the station entirely hydraulically controlled.

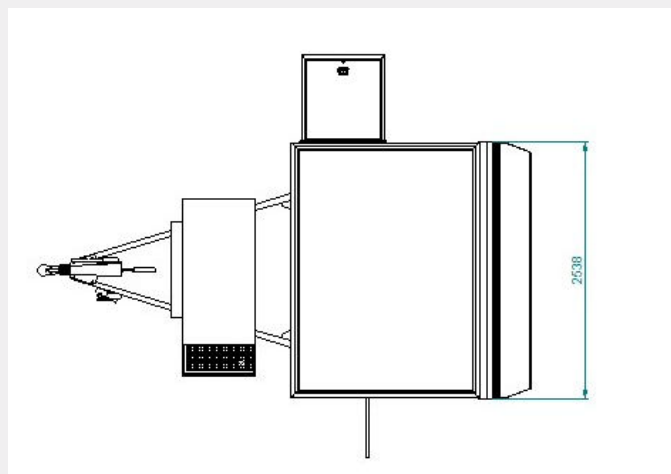
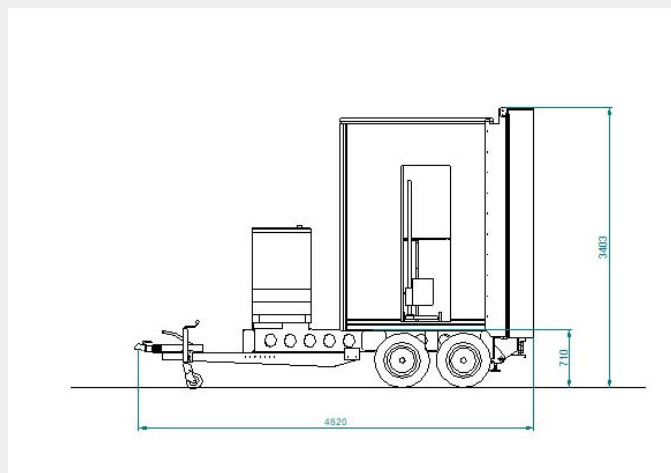
FLEXIBILITY

Equipped with generator, the mobile station becomes electrically autonomous.

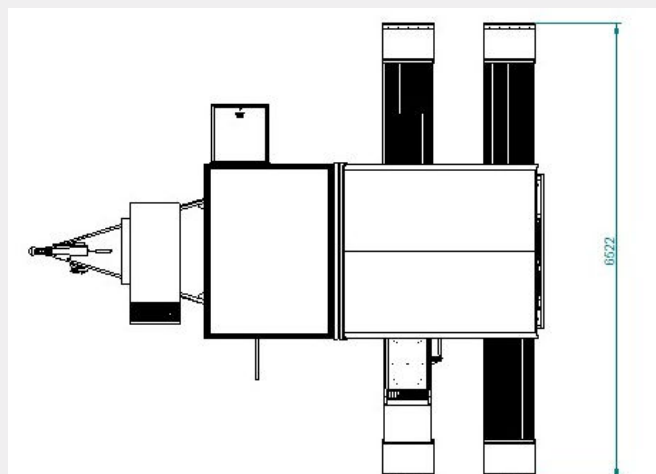
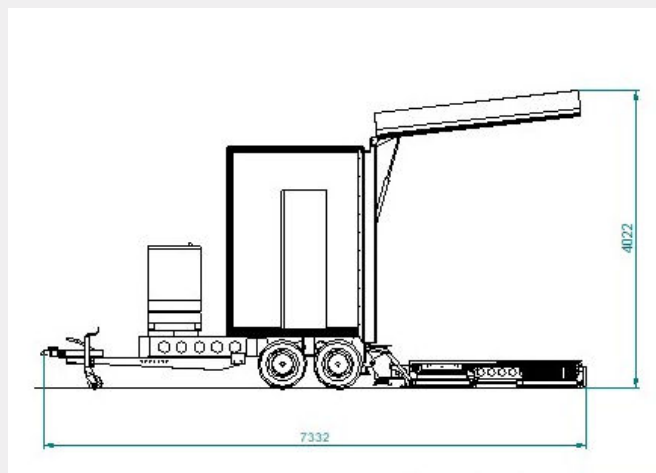
THIS STATION CAN BE EQUIPPED UPON YOUR REQUESTS AND OPTIONS

BASIC EQUIPMENT	3W	LV	HV
Main power supply / Generator 20 KVA		✓	
Roller brake tester		✓	
Suspension tester		✓	
Side slip tester		✓	
Axle play detectors		✓	
PC tablet repeater		✓	
OPTIONAL EQUIPMENT	3W	LV	HV
Roller brake tester (Ref. 43300)	✓		
Headlight tester	✓	✓	
Repeater screen	✓	✓	
Camera assembly for visual inspection	✓	✓	
Exhaust emission tester	✓	✓	

DIMENSIONS ON ROAD



DIMENSIONS AT WORK



WEIGHT

3 450 kg